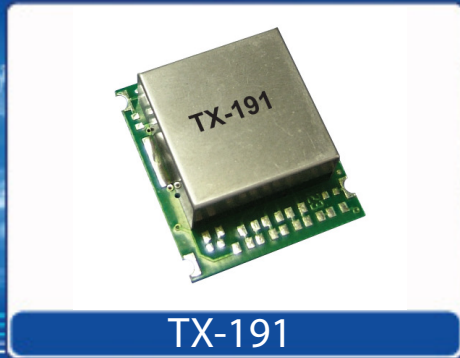


Helping Customers Innovate, Improve & Grow



Description

Vectron International has introduced a series of surface mount, Temperature Compensated Crystal Oscillators (TCXO) available in The TX-191 surface mount TCXO's can be mounted using the standard convection reflow process. The units can meet the ± 0.37 holdover requirement of GR-1244-CORE table 3-1 from 0 °C to +70 °C temperature range and operate from 3.3V or 5.0V supply.

Features

- Stratum 3 Compliant
- Tight Stability
- Low Aging
- Frequency Range: 10 MHZ to 622 MHZ
- Previous Model: MC1200, TC-210

Applications

- SONET/SDH
- Synthesizers
- Optimized for Semtech SONET / SDH
- Synchronization Sets

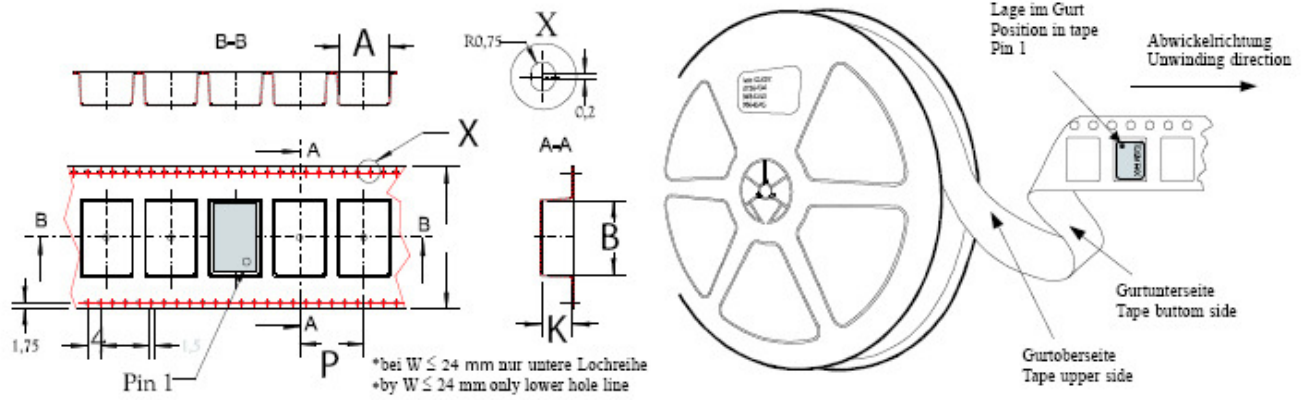
Performance Specifications

Parameter	Min	Typ	Max	Units	Condition
Frequency Stabilities¹					
vs. operating temperature range (referenced to +25°C)	-0.8		+0.8	ppm	-40... +85°C
	-0.28		+0.28	ppm	-30... +85°C
	-0.8		+0.8	ppm	-20... +70°C
	-0.28		+0.28	ppm	-20... +70°C
	-0.28		+0.28	ppm	0... +50°C
Initial Tolerance (w\fixed frequency)	-1.5		+1.5	ppm	at time of shipment, No EFC
vs. supply voltage change	-0.1		+0.1	ppm	Vs \pm 5%
vs. load change	-0.1		+0.1	ppm	Load \pm 10%
vs. aging / 15 years	-2.5		+2.5	ppm	*Stratum 3 per GR-1244-CORE: < \pm 4.6 ppm for all causes and 15 years aging, Holdover: < \pm 0.37 ppm over 24 hours
Overall Tolerance	-4.6		+4.6	ppm	
Supply Voltage (Vs)					
Supply voltage (Standard)	3.135	3.3	3.465	VDC	
Supply voltage (Option)	4.75	5.0	5.25	VDC	

Performance Specifications

Parameter	Min	Typ	Max	Units	Condition
Current consumption (depends on frequency and output type)			15 15 70	mA mA mA	steady state @ +25°C & 3.3VDC steady state @ +25°C & 5.0VDC PECL
RF Output					
Signal	HCMOS				
Load	13.5	15	16.5	pF	
Rise/Fall Time			5	ns	10% - 90%
Duty cycle	40		60	%	@ (Voh-Vol)/2
Signal	Sinewave				3.0 to 100 MHz
Load		50		ohm	
Output Power (Standard)	0.0	+3.0	+6.0	dBm	
Harmonics			-30	dBc	
Spurious			-30	dBc	If applicable
Signal (custom number required)	PECL				
Load			50	ohm	Into Vcc-2V or there in equivalent
Signal Level (Vol)			Vs -1.62	V	-40...+85°C operating temp
Signal Level (Voh)	Vs -1.025			V	-40...+85°C operating temp
Rise & Fall Times (measured @ 20%)			1000 600	ps ps	<100 MHz >= 100 MHz
Duty cycle	45		55	%	@ 50 % Vcc
Frequency Tuning (EFC)					
Tuning Range	Fixed; No adjust				
Tuning Range	±8.0	±12.0	±20.0	ppm	
Linearity			20	%	
Tuning Slope	Positive				
Control Voltage Range (nominal frequency to occur at Typ ± 0.5V)	0.3 0.5	1.65 2.5	3.0 4.5	VDC VDC	with Vs=3.3VDC with Vs=5.0VDC
Freq. control input impedance	10			kohm	
Additional Parameters¹					
Phase Noise ³ (Stratum 3 TCXO @12.8 MHz)			-115 -130 -140	dBc/Hz dBc/Hz dBc/Hz	100 Hz 1 kHz 10 kHz
Allan Variance		1		ppb	Tau= 1 sec
Weight			9.0	g	
Processing & Packing	Handling & processing note				
Absolute Maximum Ratings					
Supply voltage (Vs)			6	V	
Control Voltage			6	V	
Maximum output load @ CMOS			40	pF	
Operable temperature range	-40		+85	°C	
Storage temperature range	-55		+125	°C	

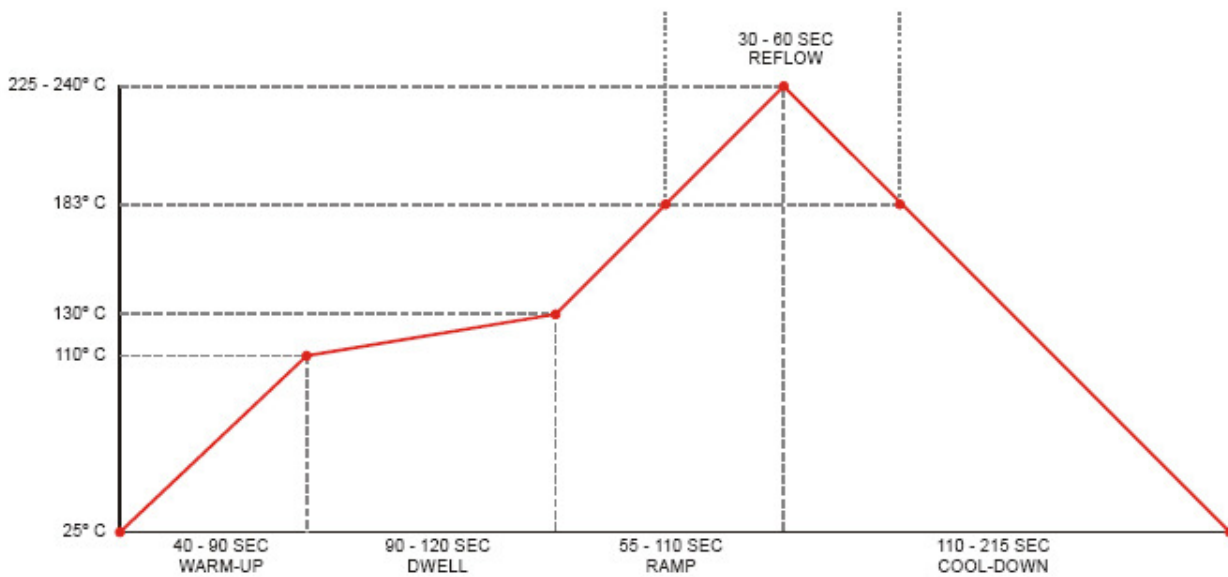
Standard Shipping Method



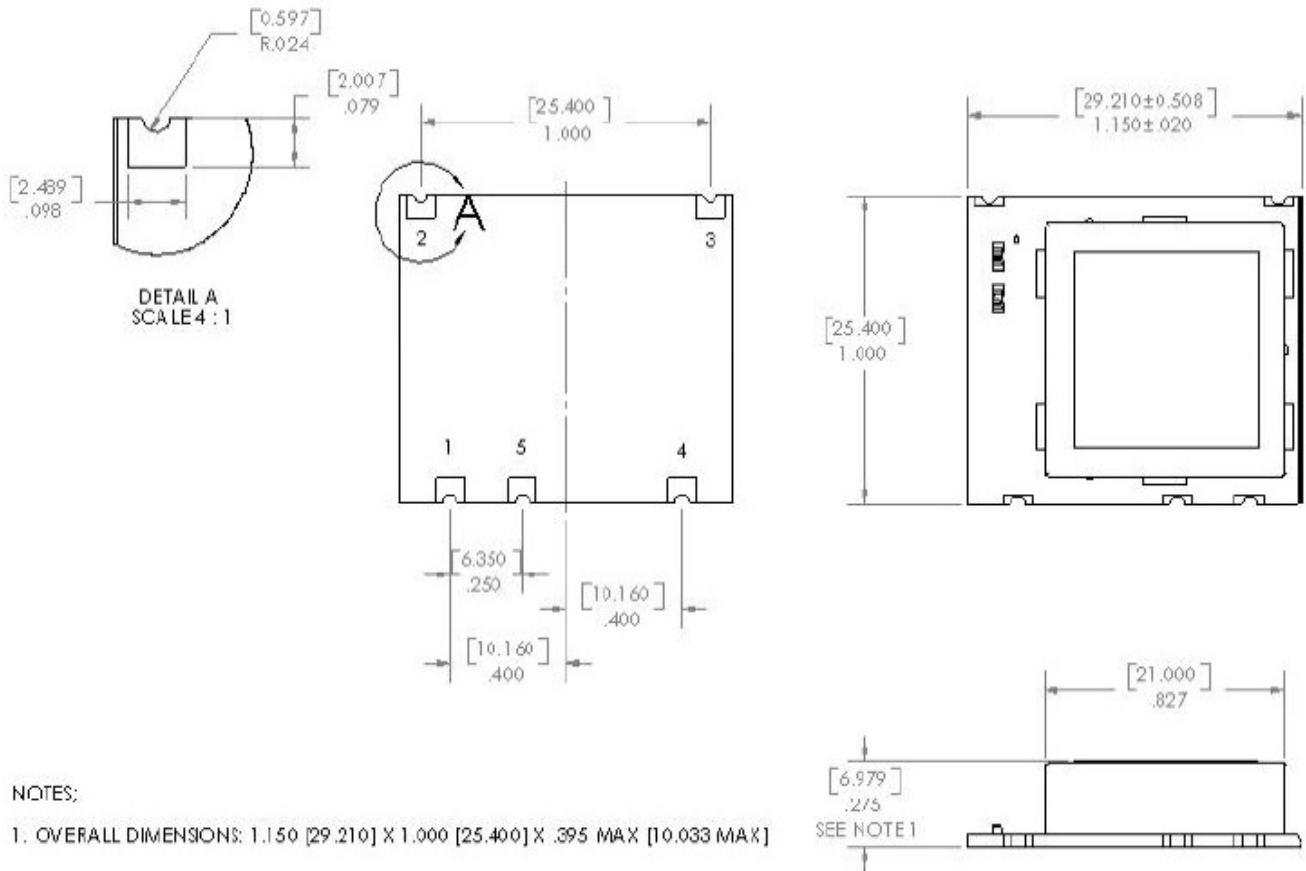
Production tolerance complying DIN IEC 286-3

Enclosure Type	Tape width W [mm]	Quantity per meter	Quantity per reel	Dimension P

Recommended Reflow Profile



Outline Drawing / Enclosure

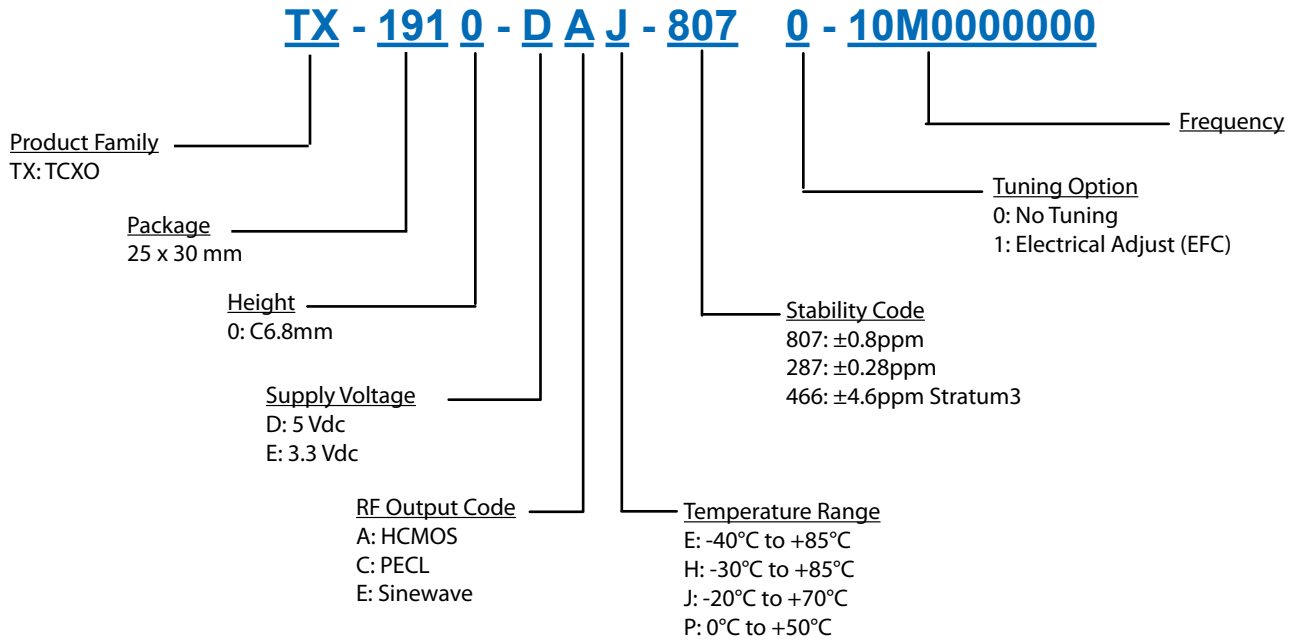


Dimensions in mm (inches)

Type C		
Code	Height "H"	Pin Length "L"
0	6.8	NA

Pin Connections	
1	Output
2	Supply
3	Ground (Case)
4	Freq. Adjust / No Connect
5	Ground

Ordering Information



Notes:

1. Contact factory for improved stabilities or additional product options. Not all options and codes are available at all frequencies.
2. Unless other stated all values are valid after warm-up time and refer to typical conditions for supply voltage, frequency control voltage, load, temperature (25°C).
3. Phase noise degrades with increasing output frequency.
4. Subject to technical modification.
5. Contact factory for availability.

For Additional Information, Please Contact

USA:

Vectron International
267 Lowell Road
Hudson, NH 03051
Tel: 1.888.328.7661
Fax: 1.888.329.8328

Europe:

Vectron International
Landstrasse, D-74924
Neckarbischofsheim, Germany
Tel: +49 (0) 3328.4784.17
Fax: +49 (0) 3328.4784.30

Asia:

Vectron International
1F-2F, No 8 Workshop, No 308 Fenju Road
WaiGaoQiao Free Trade Zone
Pudong, Shanghai, China 200131
Tel: 86.21.5048.0777
Fax: 86.21.5048.1881

Disclaimer

Vectron International reserves the right to make changes to the product(s) and or information contained herein without notice. No liability is assumed as a result of their use or application. No rights under any patent accompany the sale of any such product(s) or information.

Rev: 2/19/2009 daf